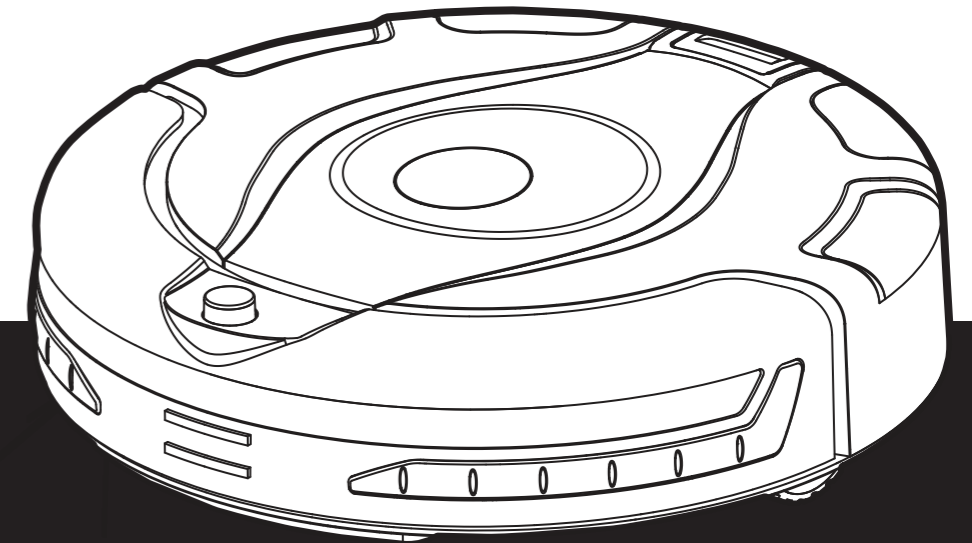


# HOOVER

## ROBOCOM<sup>2</sup>

### INSTRUCTION MANUAL

ENGLISH	GB
FRANÇAIS	FR
DEUTSCH	DE
ITALIANO	IT
ESPAÑOL	ES
PORTUGUÉS	PT



PRINTED IN P.R.C.  
48003703

GENERATION FUTURE

## IMPORTANT SAFETY REMINDERS

This Robo.com2 vacuum cleaner should only be used for domestic cleaning, as described in this User Manual. Please ensure that this User Manual is fully understood before operating the appliance. Please keep this User Manual for reference. Use only consumables or spares recommended or supplied by Hoover.

### WARNING:

Electricity can be extremely dangerous. This appliance is powered by rechargeable Ni-MH batteries and is provided with a Charger Base Station. Please ensure the voltage marked on the mains power adaptor is suitable for connection to standard mains power outlet voltage.

### REMINDERS:

- ‡ Always store the appliance indoors. Do not use outdoors or expose the appliance to the elements, humidity or heating sources (oven, fireplace, wet floor).
- ‡ Do not expose the Robo.com2 or accessories to excessive heat / cold (Keep between 0-30°C).
- ‡ Do not drop the Robo.com2 or use any accessory if it has been dropped, damaged, left outdoors or dropped in water.
- ‡ Never unplug or pull the mains power adaptor by the power cord.
- ‡ Never pick up matches, hot ash, cigarette ends, or sharp objects.
- ‡ Do not spray with, or pick up flammable liquids, cleaning fluids, aerosols, or their vapours, as this may cause risk of fire/explosion.
- ‡ Do not continue to use your Robo.com2 if it appears to be faulty. If the mains power adaptor power cord is damaged, stop using it IMMEDIATELY: to avoid a safety hazard, only an authorised Hoover Service engineer must replace the Power Cord.
- ‡ This Robo.com2 is for use on wooden flooring, rubber, ceramic tile, linoleum and short pile carpet.
- ‡ Do not use to clean stairs.

### After Use:

Return the Robo.com2 to the Charger Base Station. Always switch off and disconnect the mains power adaptor before cleaning or attempting any maintenance task. If the Robo.com2 will not be used for a long time (several weeks), unplug the Charger Base Station according to the instructions in this User Manual.

### Safety with children, the elderly or in firm:

This cleaner is not a toy.

Do not let children play with the appliance or its controls. Please supervise the use of the appliance by older children, the elderly or the in firm.

## IMPORTANT NOTES BEFORE USE

Please read the following information carefully before using your Robo.com2 or its accessories. Do not disassemble the Robo.com2 and do not attempt to repair it yourself. If a fault occurs, please contact the Hoover After Sales Service for professional advice.

**Stairs:** The Robo.com2 uses sensors to avoid falling down steps, stairs or over an edge. In some situations the sensors can become confused.

The Robo.com2 cannot detect steps that are less than 8cm in height. Steps less than 8cm may cause the Robo.com2 to fall down. If available, use the Virtual Barrier\* to protect your Robo.com2 from falling.

Highly reflective or very dark surfaces used on some steps or stairs, such as glass or polished ceramics may cause the Robo.com2 to fall down. If available use the Virtual Barrier\* or place a carpet on the lower step to protect your Robo.com2 from falling.

Using your Robo.com2 on mezzanines, landings or raised areas without borders should be avoided. If available use the Virtual Barrier\* to prevent your Robo.com2 entering these areas.

**Battery Use:** Your Robo.com2 is powered by rechargeable, high capacity NiMH batteries. These rechargeable batteries are guaranteed for a period of 6 months if they are maintained and operated according to this User Manual.

In the event of a significant drop of the Robo.com2 performance, replacement batteries can be obtained from your Hoover retailer.

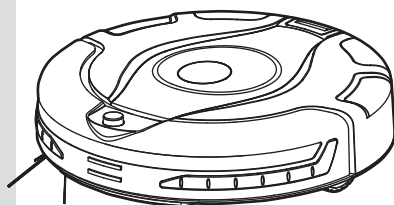
Only use Hoover approved replacement parts for your Robo.com2. Use of parts that are not approved by Hoover are dangerous and will invalidate your warranty.

Only use the supplied Charger Base Station and mains power adaptor to recharge your Robo.com2. Use of the incorrect Charger Base Station or mains power adaptor is dangerous and will invalidate your warranty.

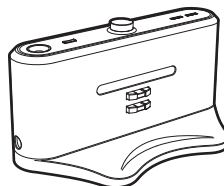
\* Certain Models Only

\*\* May vary according to model

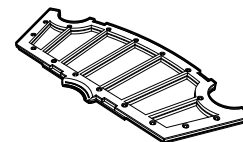
CONTENTS OF THE BOX



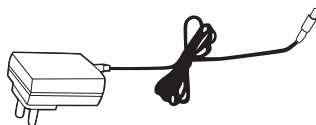
Robo.com2



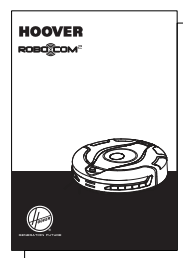
Charger Base Station



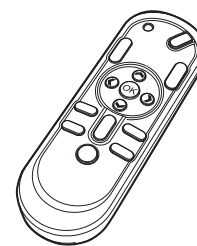
Filter\*\*



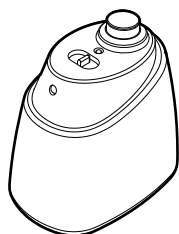
Mains Power adaptor



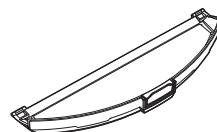
User Manual



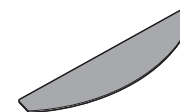
Remote Control\*\*



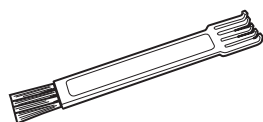
Virtual Barrier\*



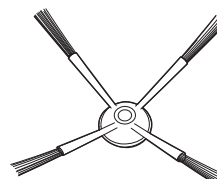
Floor Polisher Pad Holder\*



Floor Polisher Pad\*



Multi-purpose Cleaning Brush



Edge Cleaning Brush

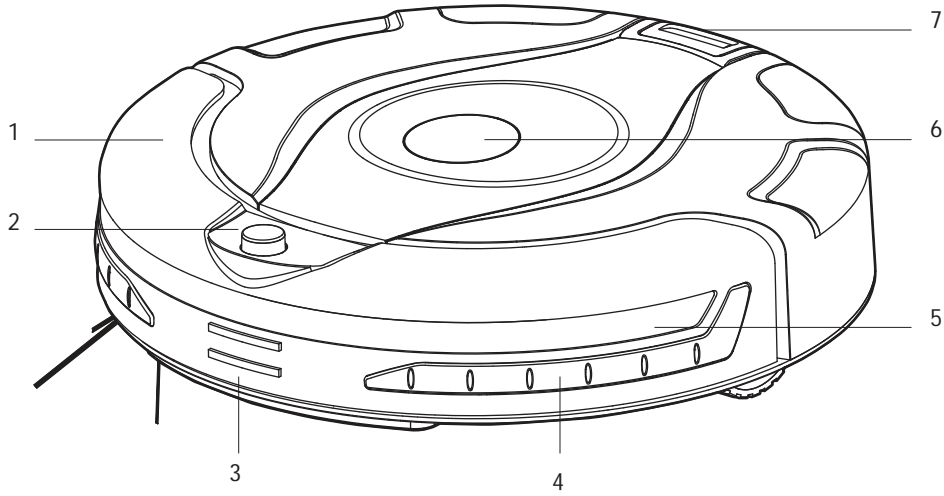
\* Certain Models Only

\*\* May vary according to model



# GETTING TO KNOW YOUR ROBO.COM2 CLEANER

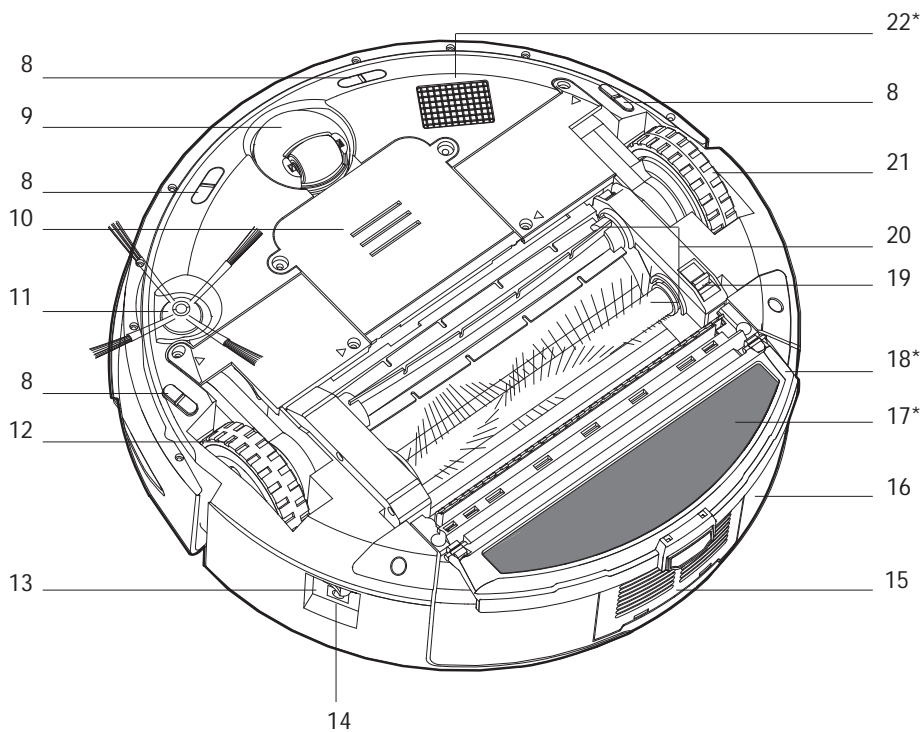
## Robo.com2 Top View



1	Front Bumper
2	Infra Red Receiver
3	Auto Charge Contacts
4	Soft Furniture Protector
5	Sensor Window
6	Display Screen
7	Dust Container Release Button
8	Floor Sensor
9	Front Wheel
10	Battery Cover
11	Edge Cleaning Brush

12	Right Drive Wheel
13	Power Switch
14	Charging Connector
15	Exhaust Grille
16	Dust Container
17	Floor Polisher Pad*
18	Floor Polisher Pad Holder*
19	Floor Brushes Release Latch
20	Floor Brushes
21	Left Drive Wheel
22	UV Lamp*

## Robo.com2 Bottom View

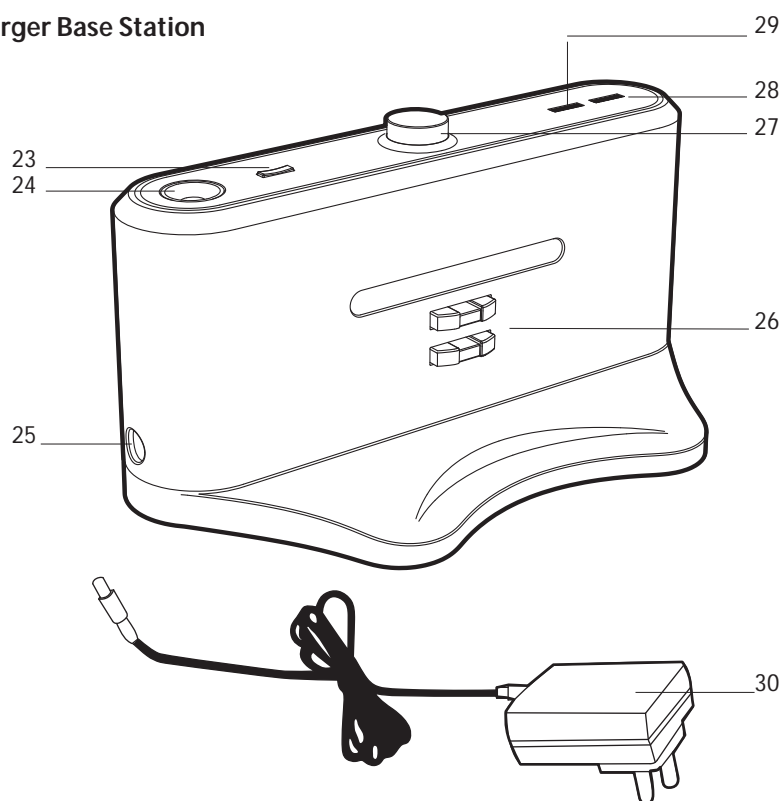


\* Certain Models Only  
\*\* May vary according to model



## GETTING TO KNOW YOUR ROBO.COM2 CLEANER

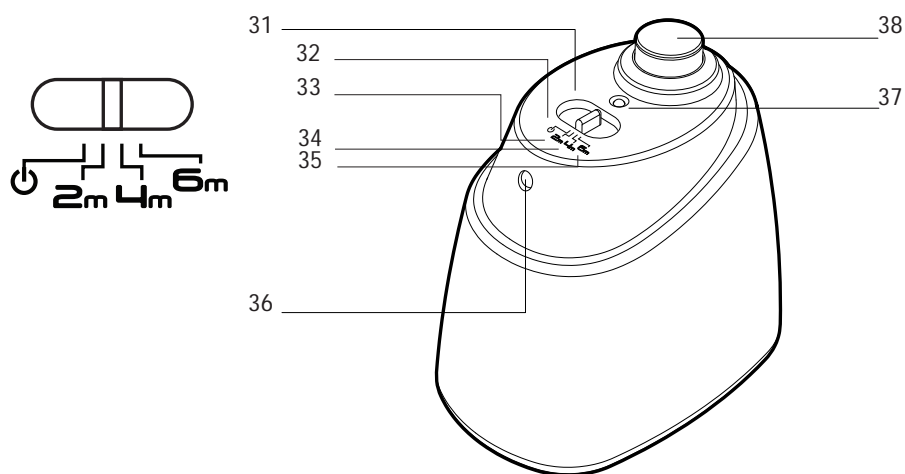
### Charger Base Station



23	Night Light Switch
24	Night Light
25	Power Supply Connector
26	Charging Contacts
27	Infra Red Transmitter
28	Charge Indicator
29	Power Indicator
30	Mains Power Adaptor

31	Virtual Barrier* Set Switch
32	OFF
33	Short Range Barrier - 2m
34	Medium Range Barrier - 4m
35	Long Range Barrier - 6m
36	Infra red Transmitter
37	Power Indicator
38	Near Infra red Transmitter

### Virtual Barrier\*

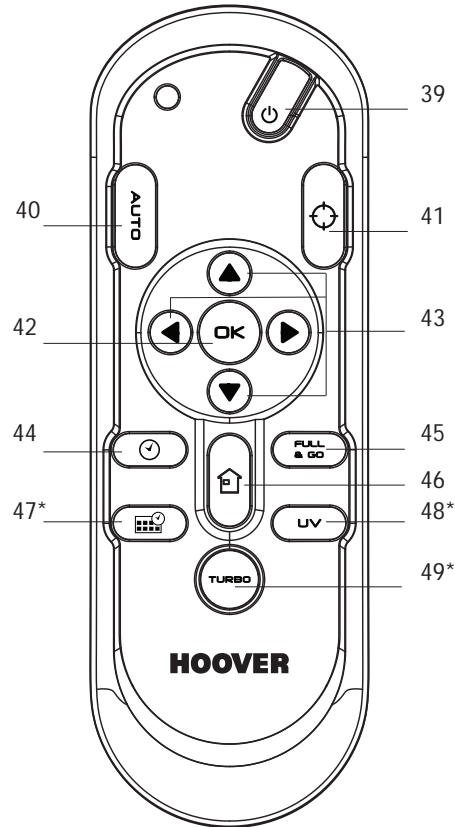


\* Certain Models Only

\*\* May vary according to model

GETTING TO KNOW YOUR ROBO.COM2 CLEANER

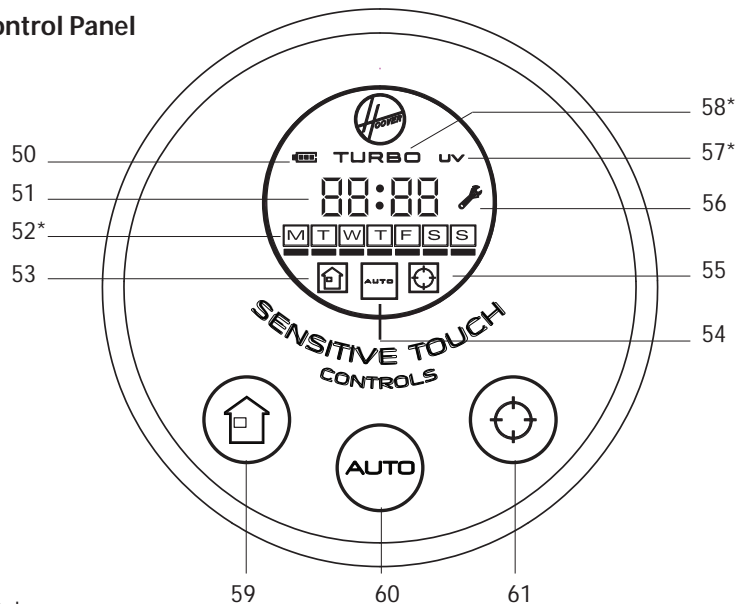
Remote Control\*\*



39	On / O Power Button
40	Automatic Cleaning Mode Button
41	Spot Cleaning Mode Button
42	OK Confirmation Button
43	Arrow Buttons
44	Local Time Setting Button
45	Full & Go Button
46	Automatic Return to Charger Base Station Button
47	Scheduling Function Button*
48	UV Lamp Button*
49	Turbo Speed Button*
50	Battery Charge Level Indicator
51	Clock

52	Day Indicator (Scheduling Function)*
53	Automatic Return to Charger Base Station Indicator
54	Automatic Cleaning Mode Indicator
55	Spot Cleaning Mode Indicator
56	Maintenance Indicator
57	UV Lamp Indicator*
58	Turbo Speed Indicator*
59	Automatic Return to Charger Base Station Sensitive Touch Control
60	Automatic Cleaning Mode Sensitive Touch Control
61	Spot Cleaning Mode Sensitive Touch Control

Robo.com2 Control Panel



\* Certain Models Only  
 \*\* May vary according to model

## PREPARING YOUR ROBO.COM2 CLEANER

### Packaging

Do not dispose of your Robo.com2 packaging. It may be required in the future for storing or transporting your Robo.com2.

When unpacking your Robo.com2 and its accessories, take care to keep plastic bags away from babies, young children and animals to avoid the risk of suffocation.

Before using your Robo.com2 for the first time, you must fully charge it. This will take approximately 6 hours. Do not expose the Robo.com2, Mains power adaptor or Charger Base Station to temperatures below 0°C or above 30°C as this may damage the Battery. The Mains power adaptor must only be connected to a standard mains power outlet.

### Batteries

For optimum Battery performance it is recommended that you keep your Robo.com2 batteries fully charged. When the Robo.com2 is not in use it should be left connected to the Charger Base Station or the Mains power adaptor. The Robo.com2 has an intelligent charging system that ensures the batteries stay fully charged whilst preventing them from becoming overcharged.

To avoid accidents, make sure that every person in the room is aware of the presence of Robo.com2. If the Robo.com2 becomes lost, place the Robo.com2 on the Charger Base Station manually.

### Charger Base Station Setup

Before use, remove obstacles that may get in the path of the Robo.com2. Pay attention to:

- ‡ Objects that can be easily knocked over.
- ‡ Edges of carpets or rugs that it may get caught on.
- ‡ Floor length curtains and tablecloths.
- ‡ Heat sources or flammable items.
- ‡ Power cords and cables.
- ‡ Fragile objects.

1. Place the Charger Base Station on a non-reflective level floor, preferably against a wall. If the floor surface is too reflective, it will interfere with the Robo.com2 navigation system and it may have difficulty locating the Charger Base Station.
2. There should not be any objects in the area around the Charger Base Station for 3m in front and 0.5m to each side.
3. Plug in the Mains power adaptor and connect to the Charger Base Station. Make sure the power cord is not caught underneath the Charger Base Station.
4. Make sure the Power Cord is not tangled or stretched. If there is an excess, use the power cord tie to store it neatly.
5. Check that the Dust Bin is inside the Robo.com2.
6. Guide your Robo.com2 into the Charger Base Station to begin charging. Initial charging will take 6 hours approximately.

NOTE: There is a Night Light on the Charger Base Station that people can decide to switch ON or OFF depending on their needs.

### Automatic Charging

When the Robo.com2 battery capacity is at 15% it will stop cleaning and search for the Charger Base Station. Once docked with the Charger Base Station a light on the Charger Base will illuminate indicating that charging is in progress.

The Robo.com2 may fail to reach the Charger Base Station if there are many obstacles in between it and the Charger Base Station. For best results ensure that the Charger Base Station is in a wide open space.

### Manual Charging

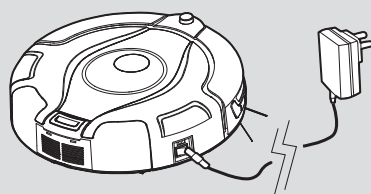
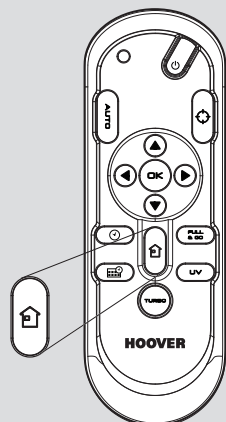
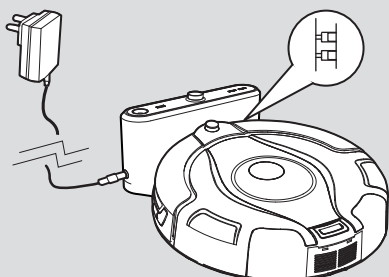
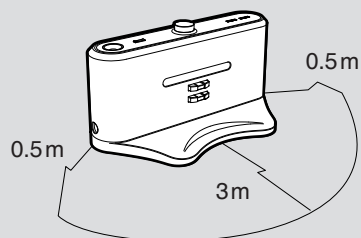
There are three methods to charge your Robo.com2:

- A. By pressing the Automatic Return to Charger Base Station button on your Remote control\*\* or the corresponding Sensitive Touch control on your Robo.com2.
- B. By connecting the mains power adaptor directly to the Robo.com2.
- C. By manually placing the Robo.com2 on the Charger Base Station.

**Important:** The Robo.com2 will not operate without the dust container fitted. The Robo.com2 will not operate whilst charging or whilst connected directly to the mains power adaptor.

\* Certain Models Only

\*\* May vary according to model



## PREPARING YOUR ROBO.COM2 CLEANER

### Remote Control\*\* Set Up

To install batteries see Cleaner Maintenance - Replacing the batteries.

Note: The Remote Control\*\* can be used through walls because it works on radio waves not infrared.


### Virtual Barrier\* Set Up

To install batteries see Cleaner Maintenance - Replacing the batteries.

The Virtual Barrier\* is used to prevent the Robo.com2 cleaning certain rooms or areas such as in front of replaces. Before setting the Virtual Barrier\* remember to:

- ‡ Remove any obstacles from the area that you want to block.
- ‡ The Virtual Barrier\* should be placed on the same surface that the Robo.com2 is operating on.
- ‡ Ensure the Virtual Barrier\* is more than 3m away from the Charger Base Station.

1. Position the Virtual Barrier\* so that the infra red transmitter is pointing across the area you want to create the barrier.
2. Slide the toggle switch to the desired length of the barrier.

ICON	BARRIER TYPE	BARRIER LENGTH
	O	0m
2m	Short	2m
4m	Medium	4m
6m	Long	6m

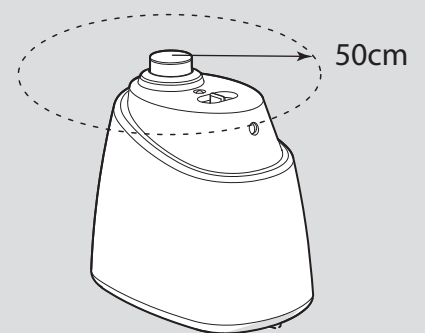
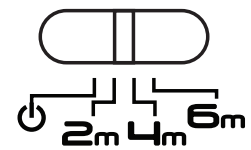
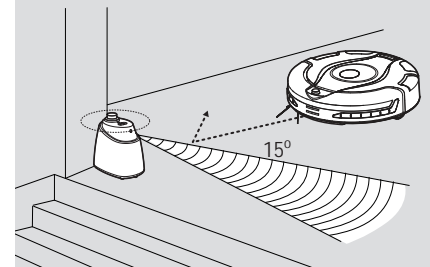
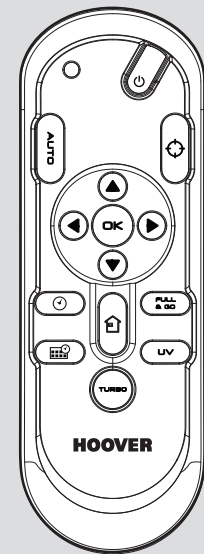
3. Check the Virtual Barrier\* provides adequate cover whilst the Robo.com2 is running.

NOTE: The battery power usage relates directly to the infra red level. For longer battery life chose the correct length of infra red beam.

NOTE: The near Infra red transmitter will stop the Robo.com2 coming any closer than 50cm to the Virtual Barrier\*.



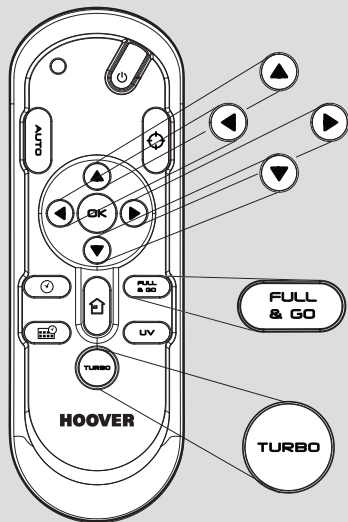
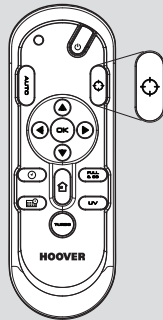
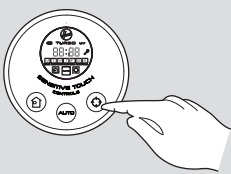
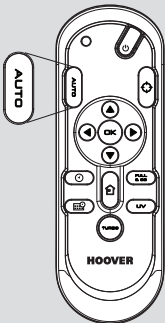
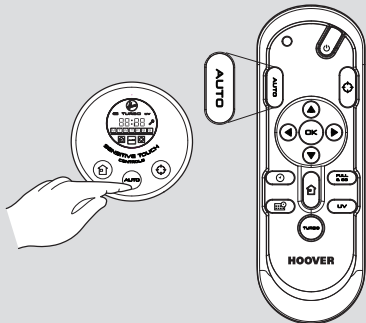
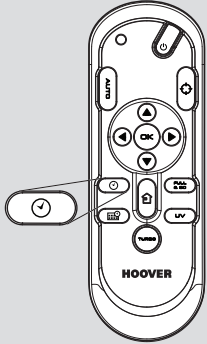
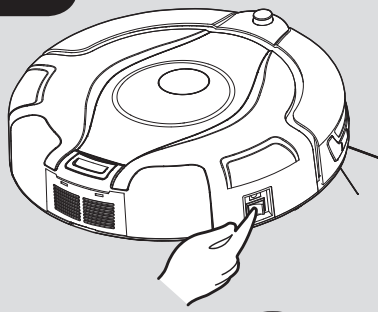
GB



\* Certain Models Only

\*\* May vary according to model





## USING YOUR ROBO.COM2 CLEANER

### Power On

1. Press the on / o switch on the side of the Robo.com2.
2. The LCD screen will illuminate.

NOTE: If your robot is already switched On, but in standby mode, it can be activated from the remote control\*\* or pressing one of the touch sensitive keys.

NOTE: The touch sensitive controls on the Robo.com2 can be unreliable if your hands are wet.

### Setting the Day /Time on the Robo.com2

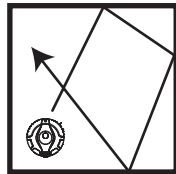
1. Using the Remote Control\*\* press the time set button. A flashing line will appear below the day.
2. Use the up and down arrow on the Remote Control\*\* until the line appears below the correct day. Press the OK Confirmation Button.
3. The hour display will flash. Press the up and down arrow on the Remote Control\*\* until the correct hour is displayed. Press the OK Confirmation Button.
4. The minute display will flash. Press up and down arrow on the Remote Control\*\* until the correct minute is displayed. Press the OK Confirmation Button.
5. Day and time are now set.

### Cleaning Programs

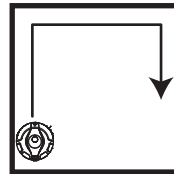
Robo.com2 uses AAI™ Infrared Navigation, an advanced navigation system that uses the algorithmic calculation to define the best path to efficiently clean your room.

Press the AUTO Sensitive touch control on the robot or press the AUTO button on the remote control to activate the Automatic cleaning mode. Robo.com2 will automatically choose the best cleaning mode to clean your room. It will use 4 different cleaning patterns:

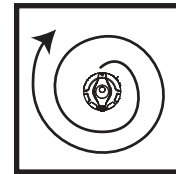
ZIG ZAG



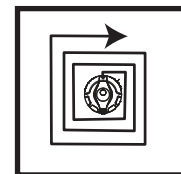
EDGE



ELLIPTICAL



SQUARE



Press the SPOT Sensitive touch control on the robot or press the SPOT button on the remote control to activate the SPOT cleaning mode. Use this mode to intensively clean a confined area. Robo.com2 will move following an elliptical pattern, where the radius will continuously increase for approximately 3 minutes.

With the Remote Control\*\*, you can also activate all the other cleaning programs:

#### Manual Navigation:

The Robot can be controlled manually at any time during a cleaning program. The navigation arrow keys in the remote control will move the Robot in the desired direction with the suction activated. With the remote control, the Robo.com2 can be controlled up to a distance of 10m, even behind a wall.

#### Full & GO:

When the robot is charging, press the FULL & GO button on the remote control to activate this cleaning mode. On the display the AUTO indicator will start flashing. When the battery is fully charged, the Robo.com2 will automatically start a cleaning cycle. Once complete, the Robo.com2 will automatically return to the Charger Base Station.

#### TURBO\*:

Press the TURBO\* button on the remote control to activate the TURBO\* speed. The TURBO\* indicator will light on in the LCD display. Robo.com2 will start to work at a faster speed, covering quicker the area to clean.

#### Scheduled Cleaning\*:

You can decide what time the Robo.com2 will start cleaning, daily or weekly. To set a cleaning schedule follow see 'Setting Up The Cleaning Schedule'.

\* Certain Models Only

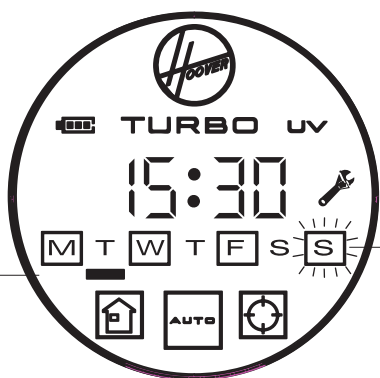
\*\* May vary according to model

## USING YOUR ROBO.COM<sup>2</sup> CLEANER

### Setting up the Cleaning Schedule\*

The Robo.com<sup>2</sup> can be programmed to automatically clean each day or on specific days as desired. Once set up this will occur at the same time on each day specified. To set up a cleaning schedule over one week complete the following:

1. Press the Scheduling Function button on the Remote Control\*\*. A flashing box will appear around M (Monday).
2. Use the up and down arrow keys to select the desired day and then press the OK Confirmation Button to confirm that day. You can also choose multiple days (up to 7 days).
3. Once each day of the week have been selected, you can decide the hour of the cleaning schedule: the hour will start flashing on the display. Use the up and down arrow keys to select the desired hour. Press the OK Confirmation Button.
4. The minute display will flash, use the up and down arrow keys to select the desired minute. Press the OK Confirmation Button.
5. The cleaning schedule for the days has been selected.





This bar below the letter of the day indicates the 'Current day'

The fixed box around the letter of the day indicates that day has a cleaning schedule set.

NOTE: The cleaning hour will be the same each day scheduled for cleaning.

### Additional Features

#### Automatic Return to the Charger Base Station:

Press the  Sensitive touch control on the robot or press the  button on the remote control, this will activate the Automatic Return to the Charger Base Station

#### UV Lamp\*:

Press the UV button on the remote control\*\* to activate the UV lamp\* for more hygienic cleaning. The UV indicator will light on in the LCD display. To deactivate the UV lamp\*, just repress the UV button on the remote control\*\*.

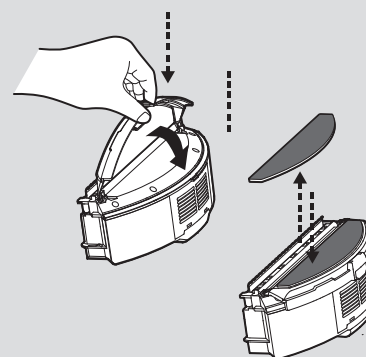
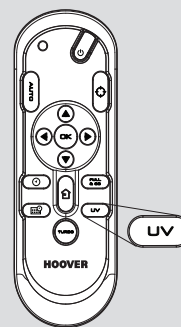
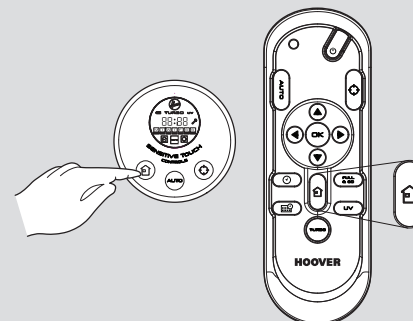
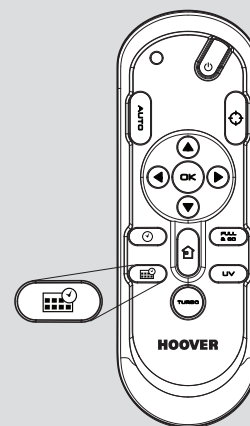
#### Floor Polisher Pad\*:

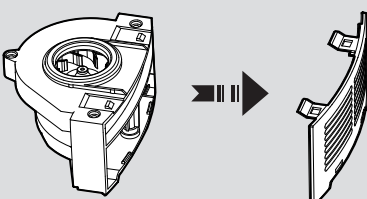
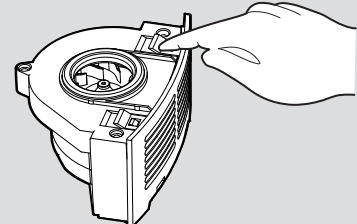
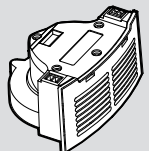
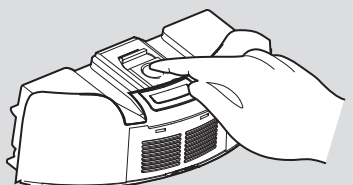
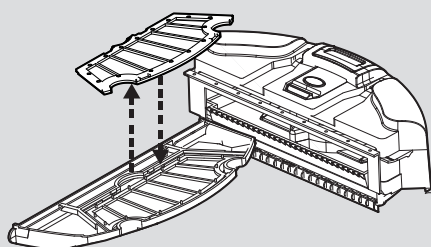
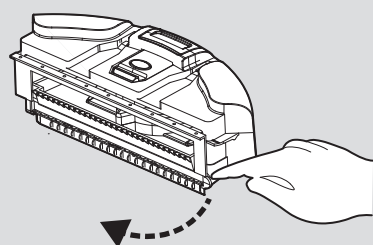
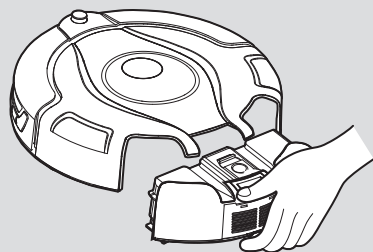
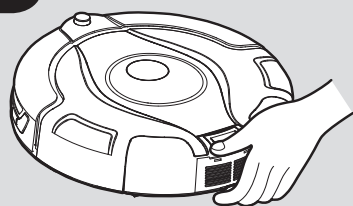
Attached via the Floor Polisher Pad Holder \* to the underside of the cleaner, the Floor Polisher Pad\* is used to polish marble, parquet, wooden and other delicate flooring.

NOTE: Do not use on a carpeted Surface.

\* Certain Models Only

\*\* May vary according to model





## MAINTAINING YOUR ROBO.COM2 CLEANER

Before performing any maintenance task, ensure the Robo.com2 is switched off.

1. Turn the Robo.com2 off and remove from the Charger Base Station.
2. Use a damp cloth with a little soap to clean all surfaces. DO NOT allow water into any part of the product whilst cleaning.
3. Dry with a soft Cloth.

### Emptying the dust container

Empty the dust container every cleaning cycle or when the dust container is full.

1. Turn the Robo.com2 off and remove from the Charger Base Station.
2. Press the dust container release button and remove the Dust Container from the Robo.com2.
3. Hold the dust container over a bin to empty.
4. Use the Multi-purpose Cleaning Brush when necessary to remove any excess dust from the internal surface of the dust container.
5. Re-fit the dust container to the Robo.com2.

### Cleaning the Filters

The Robo.com2 is fitted with a pre-motor filter. To maintain optimum cleaning performance, regularly clean the filter. The filters should be cleaned every 5th dust container empty and should be washed.

**IMPORTANT: The filter should be cleaned and washed after the dust container has been emptied 5 times. Failure to clean your filter may result in air blockage, overheating and product failure. This may invalidate your guarantee.**

1. Turn the Robo.com2 off and remove from the Charger Base Station.
2. Press the dust container release button and remove the Dust Container from the Robo.com2.
3. Pull the filter drawer tab to open the filter drawer.
4. Push the underside of the filter to pop it out of the bracket.
5. Gently tap and wash the filter using hand warm water. Remove excess water from the filter with a dry cloth and leave to dry.
6. Reassemble once completely dry and re-fit to the cleaner. DO NOT use the Robo.com2 without a filter fitted.

**IMPORTANT - Regularly check and maintain the filters by following the filter maintenance instructions, it is also recommended that you purchase new filters after every 3rd filter wash. This will maintain your cleaners performance.**

CLEAN FILTER REGULARLY

PULL TO ACCESS THE FILTER

### Cleaning the Motor Assembly

Under normal conditions of use, the motor assembly will not require any maintenance unless the pre motor filter has not been fitted correctly.

1. Turn Robo.com2 off and remove from the Charger Base Station.
2. Press the dust container release button and remove the Dust Container from the Robo.com2.
3. Press the motor release button, the motor will pop out.
4. Turn the motor over and unclip the exhaust cover.
5. Clean using the Multi-purpose Cleaning Brush provided.

**IMPORTANT: Never use water to clean the motor.**

\* Certain Models Only

\*\* May vary according to model

## MAINTAINING YOUR ROBO.COM2 CLEANER

### Cleaning the Floor Brushes

Clean the Floor Brushes regularly to maintain maximum cleaning performance.

1. Turn Robo.com2 off and remove from the Charger Base Station.
2. Turn the Robo.com2 over.
3. Rotate the Floor Brush assembly carefully and using scissors cut and remove any tangled threads or hair etc.
4. Use the Multi-purpose Cleaning Brush to remove any excess dust.

### Replacing the Floor Brushes

1. Switch the Robo.com2 off and turn the Robo.com2 over.
2. Pull the Floor Brush Release Latch.
3. Lift the Floor Brushes Retainer.
4. Remove both Floor Brushes.
5. Clean the recess that the Floor Brushes sit.
6. Re-fit the new Floor Brushes, ensuring they sit correctly.
7. Close the retainer ensuring it locks.

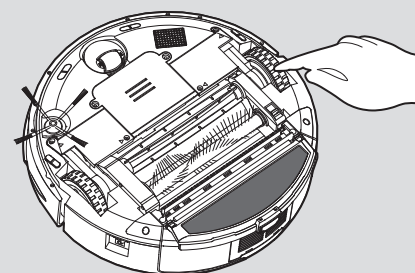
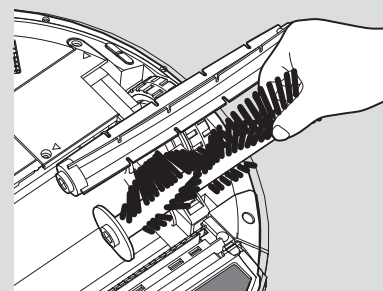
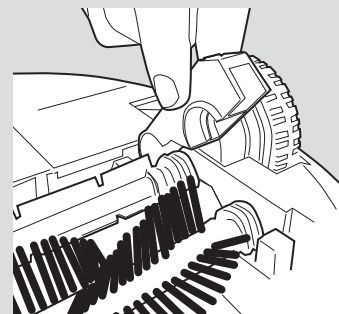
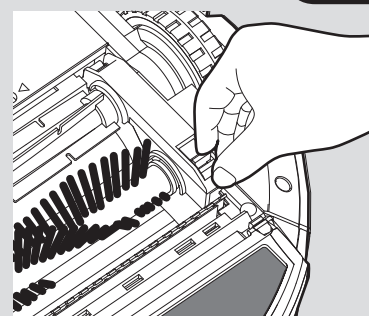
### Cleaning the Drive Wheels

1. Switch the Robo.com2 off and turn the Robo.com2 over.
2. Remove any dirt or hair trapped in the wheels.
3. Clean the wheels with a dry cloth.
4. Check that the wheels can rotate freely.

\* Certain Models Only

\*\* May vary according to model

GB



## MAINTAINING YOUR ROBO.COM2 CLEANER

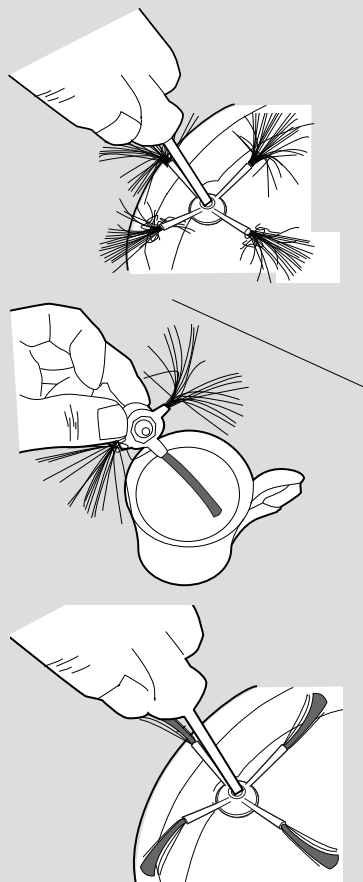
### Cleaning the Edge Cleaning Brush

The Edge Cleaning Brush can be easily worn from heavy use so you should check it regularly to monitor its condition.

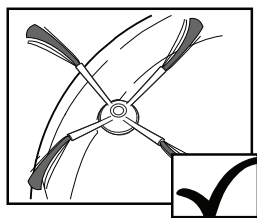
1. Switch the Robo.com2 **o** and turn the Robo.com2 over.
2. Remove the retaining screw with a screwdriver.
3. Use a pair of scissors to remove any trapped hair or debris.

### Correcting Edge Cleaning Brush Deformation

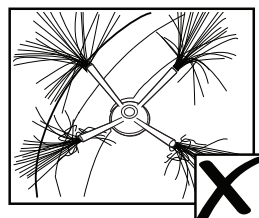
The Edge Cleaning Brush can sometimes be deformed during transportation or when the product is used under particular conditions. If this happens it is possible to return to the original shape by putting the bristles in hot water.



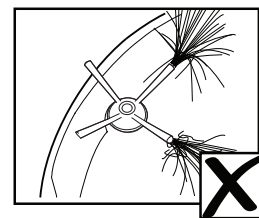
GOOD



RECOVERABLE



REQUIRES REPLACEMENT



1. Switch the Robo.com2 **o** and turn the Robo.com2 over.
2. Remove the retaining screw with a screwdriver. Remove the Edge Cleaning Brush.
3. Gently lower the bristles in hot water.
4. Hold each set of bristles until they have recovered and straightened. Then remove and leave to dry.
5. Once completely dry reassemble and screw in place.

### Replacing the Edge Cleaning Brush

If the Edge Cleaning Brush is damaged it will need to be replaced. Replacement Edge Cleaning Brushes can be obtained from your Hoover retailer.

1. Switch the Robo.com2 **o** and turn the Robo.com2 over.
2. Remove the retaining screw with a screwdriver.
3. Remove the old Edge Cleaning Brush and push the new one in place.
4. Replace and tighten the screw.

### Cleaning the Front Wheel

1. Switch the Robo.com2 **o** and turn the Robo.com2 over.
2. Remove any dirt or hair trapped in the wheel.
3. Clean the wheel with a dry cloth.
4. Check that the wheel can rotate freely.

### Cleaning the Floor Sensors

The floor detection sensors are located in the base of the Robo.com2. Clean the sensors each time the dust container is emptied. Frequent cleaning is recommended to ensure optimum cleaning performance and safe operation of your Robo.com2.

1. Turn the Robo.com2 **o** and remove from the Charger Base Station.
2. Turn the Robo.com2 over.
3. Use a dry soft cloth or cotton swab to wipe the sensors.

\* Certain Models Only

\*\* May vary according to model

## MAINTAINING YOUR ROBO.COM2 CLEANER

### Cleaning the Sensor Window

The wall detection sensors are located in the front of Robo.com2. Clean the sensor window each time the dust container is emptied. Frequent cleaning is recommended to ensure optimum performance of your Robo.com2.

Use a dry soft cloth or cotton swab to wipe the sensor window.

### Cleaning the Floor Polisher Pad\*

1. Turn the Robo.com2 over.
2. Press the dust container release button and remove the dust container from the Robo.com2.
3. Press the Floor Polisher Pad Holder\* release button and unclip from the dust container.
4. Tear the Floor Polisher Pad\* from the Floor Polisher Pad Holder\* and wash using hand warm water. Remove excess water and leave to dry before re-using.
5. Re-assemble when fully dry.

### Replacing the batteries

Only use approved replacement parts for your Robo.com2. Using parts not validated by Hoover are dangerous and will invalidate your guarantee.

If the Robo.com2, Virtual Barrier\* and Remote Control\*\* is not to be used for several months please remove the batteries and store in a dry location.

**IMPORTANT:** Always make sure your device is switched off before changing your batteries.

### Replacing the Robo.com2 batteries

The Robo.com2 is fitted with a rechargeable battery pack.

1. Turn the Robo.com2 over and place on a level surface. Remove the screws from the battery cover and then remove the battery cover.
2. Remove the old battery pack and replace with the new battery pack ensuring the polarity is correct. Replace the cover.
3. Recharge the Robo.com2.

### Replacing the Remote Control\*\* batteries

The Remote Control\*\* is fitted with 2 x AAA batteries.

1. Slide the battery cover open.
2. Remove the old batteries and replace with the new batteries ensuring the polarity is correct. Replace the cover.

### Replacing the Virtual Barrier\* batteries

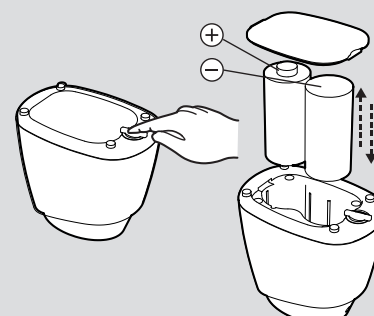
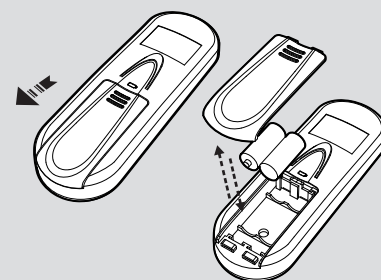
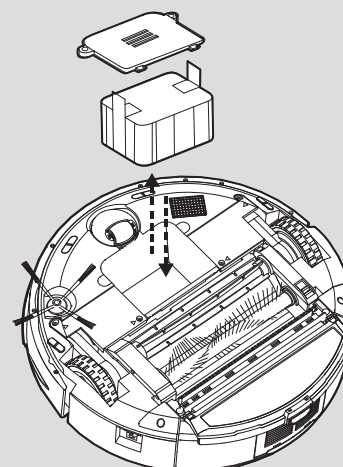
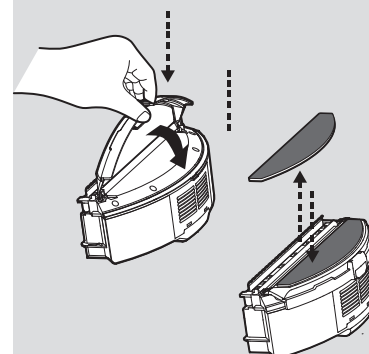
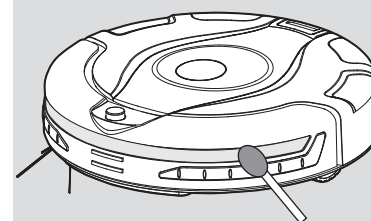
The Virtual Barrier\* is fitted with 2 x D batteries.

1. Turn the Virtual Barrier\* over and rotate the retaining clip. Remove the battery cover.
2. Remove the old batteries and replace with the new batteries ensuring the polarity is correct. Replace the cover.

\* Certain Models Only

\*\* May vary according to model

GB



## TROUBLESHOOTING

The following is a list of commonly encountered problems and solutions. If any of these problems persist contact your local Hoover representative.

The Robo.com2 does not work	<ul style="list-style-type: none"> <li>‡ Check that the Robo.com2 is switched on.</li> <li>‡ Check that the dust container, filter and motor are clean.</li> <li>‡ Check if the Robo.com2 needs to be charged.</li> </ul>
Cleaning power is weak	<ul style="list-style-type: none"> <li>Turn power o and:</li> <li>‡ Empty dust container.</li> <li>‡ Check and clean the filter and motor.</li> <li>‡ Check and clean the Floor Brushes</li> <li>‡ Check and clean the sensors.</li> <li>‡ Check and clean the drive wheels.</li> </ul>
The Remote Control** does not work	<ul style="list-style-type: none"> <li>‡ Check the batteries.</li> <li>‡ Check the battery of the Robo.com2.</li> <li>‡ Move the Remote Control** closer to the Robo.com2.</li> </ul>
The Robo.com2 does not automatically charge	‡ Make sure there are no barriers between the Robo.com2 and the Charger Base.
The Robo.com2 is very noisy while cleaning	<ul style="list-style-type: none"> <li>‡ Clean the dust container and filter.</li> <li>‡ Check the brushes and drive wheels for dirt and debris.</li> </ul>
Robo.com2 stops working/ cleans intermittently	‡ Check the cleaning times set.
Robo.com2 fails to detect stairs	‡ Check and clean the sensors.
Robo.com2 is trapped	‡ The Robo.com2 will attempt to free itself but in some cases assist the Robo.com2 manually.
Robo.com2 is not working but there is no error code display	‡ Contact your local Hoover representative

## Error Codes

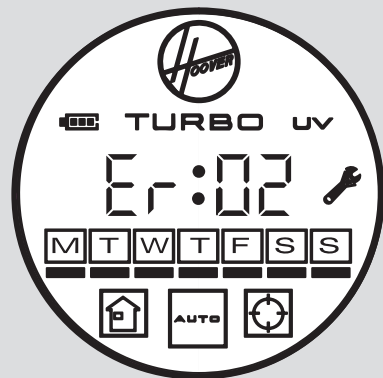
The following codes may appear during use or on start up.

Failure Code	Explanation
Er01	Debris trapped in the Edge Cleaning Brush. See 'Cleaning the Edge Cleaning Brush'
Er02	Debris trapped in the Floor Brushes. See 'Cleaning the Floor Brushes'
Er04	Left Drive Wheel motor overloaded. See 'Cleaning the Drive Wheels'
Er05	Right Drive Wheel motor overloaded. See 'Cleaning the Drive Wheels'
Er06	Both Drive Wheel motors overloaded. See 'Cleaning the Drive Wheels'
Er07	Left or Right Drive Wheel not making contact with the ground. See 'Cleaning the Drive Wheels'
Er08	Robo.com2 battery is too hot. Switch o and leave Robo.com2 to cool for 30mins.
Er09	Dust container is absent. Replace Dust Container.

**ATTENTION:** If any of these failures persist. Contact your local Hoover representative. DO NOT try to disassemble the Robo.com2 by yourself.

\* Certain Models Only

\*\* May vary according to model



## IMPORTANT INFORMATION

### Hoover Spares and Consumables

Always replace parts with genuine Hoover spares. These are available from your local Hoover dealer or direct from Hoover. When ordering parts always quote your model number.

#### Consumables

‡ Pre-Motor Filter: RB 208 35601261

#### Spares

‡ Robo.com2 Battery Pack:	RB 201	35601254
‡ Floor Brushes:	RB 202	35601255
‡ Virtual Barrier* Battery Pack:	RB 203	35601256
‡ Remote Control** (RBC003)	RB 210	35601274
‡ Remote Control** (RBC006)	RB 211	35601275
‡ Remote Control** (RBC009)	RB 204	35601257
‡ Charger Base Station and Mains Power Adaptor	RB 205	35601258
‡ Edge Cleaning Brush:	RB 206	35601259
‡ Floor Floor Polisher Holder (1 off) and Pad (4 off)	RB 207	35601260
‡ Dust Container, Filter and Motor (RBC003)	RB 212	35601276
‡ Dust Container, Filter and Motor (RBC 006)	RB 213	35601277
‡ Dust Container, Filter and Motor (RBC 009)	RB 209	35601262

### Quality

Hoover's factories have been independently assessed for quality. Our products are made using a quality system which meets the requirements of ISO 9001.

### The Environment

This appliance is marked according to the European Directive 2002/96/EC on Waste Electrical and Electronic Equipment (WEEE).

By ensuring this product is disposed of correctly you will help prevent potential negative consequences for the environment and human health, which could otherwise be caused by inappropriate waste handling of this product.

The symbol on the product indicates that this product may not be treated as household waste. Instead it shall be handed over to the appliance collection point for recycling of electrical and electronic equipment.

Disposal must be carried out in accordance with the local environmental regulations for waste disposal. For more detailed information about treatment, recovery and recycling of this product, please contact your local city office, your household waste disposal service or the shop where you purchased the product.



### Your Guarantee

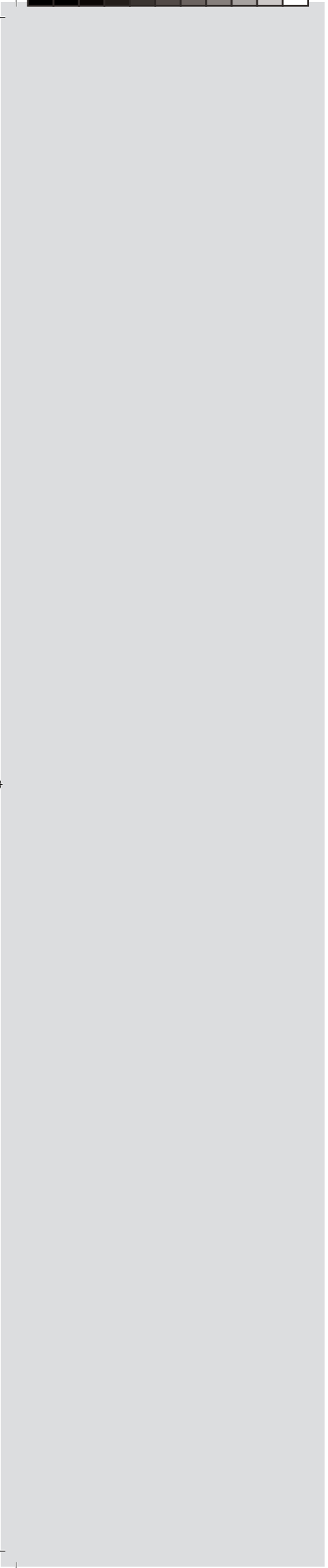
The guarantee conditions for this appliance are as defined by our representative in the country in which it is sold. Details regarding these conditions can be obtained from the dealer from whom the appliance was purchased. The bill of sale or receipt must be produced when making any claim under the terms of this guarantee.

Subject to change without notice.

\* Certain Models Only

\*\* May vary according to model





## REMARQUES IMPORTANTES CONCERNANT LA SÉCURITÉ

Cet aspirateur Robo.com2 doit uniquement être utilisé pour le nettoyage domestique, conformément aux instructions de ce manuel. Veuillez vous assurer de comprendre parfaitement ce manuel avant d'utiliser l'appareil. Veuillez garder ce manuel d'utilisation pour pouvoir le consulter. N'utilisez que les consommables et pièces détachées recommandés ou fournis par Hoover.

### MISE EN GARDE :

L'électricité peut être extrêmement dangereuse. Cet appareil est alimenté par des batteries Ni-MH rechargeables et est fourni avec une station de chargement. Veuillez vous assurer que la tension indiquée sur l'adaptateur secteur est adaptée pour un raccordement sur la tension de sortie d'une prise standard.

### RAPPELS :

- ‡ Toujours ranger l'appareil à l'intérieur. Ne pas utiliser à l'extérieur et ne pas exposer l'appareil aux intempéries, à l'humidité ou à des sources de chaleur (four, cheminée, sol humide).
- ‡ Ne pas exposer le Robo.com2 ou les accessoires à une source de chaleur / de froid excessive (Garder à une température comprise entre 0-30°C).
- ‡ Ne pas laisser tomber Robo.com2 et ne l'utiliser s'il a fait une chute, s'il est endommagé, s'il a séjourné à l'extérieur ou s'il est tombé dans l'eau.
- ‡ Ne jamais débrancher ou tirer l'adaptateur secteur par le cordon d'alimentation.
- ‡ Ne jamais aspirer d'allumettes, de cendres chaudes, de mégots de cigarettes ou d'objets tranchants.
- ‡ Ne pas vaporiser ou aspirer des liquides inflammables, des liquides de nettoyage, des aérosols ou leurs vapeurs au risque de provoquer des incendies/explosions.
- ‡ Cessez immédiatement d'utiliser votre Robo.com2 s'il semble défectueux. Si le cordon d'alimentation de l'adaptateur secteur est endommagé, arrêter IMMÉDIATEMENT l'aspirateur : pour éviter les risques d'accident, seul un réparateur Hoover agréé doit remplacer le cordon d'alimentation.
- ‡ Ce Robo.com2 est destiné à être utilisé sur les sols en bois, en caoutchouc, les carreaux de céramique, le linoléum et les moquettes à poils courts.
- ‡ Ne pas utiliser pour nettoyer les escaliers.

### Après utilisation :

Faites revenir le Robo.com2 vers la base de chargement. Éteignez et débranchez toujours l'adaptateur secteur avant de le nettoyer ou de procéder à son entretien. Si vous prévoyez de ne pas utiliser le Robo.com2 pendant une longue période (plusieurs semaines), débranchez la base de chargement en fonction des instructions de ce manuel d'utilisation.

### Sécurité des enfants, des personnes âgées et/ou non aptes à se servir de l'appareil :

Cet aspirateur n'est pas un jouet.

Ne laissez pas les enfants jouer avec l'appareil ou ses commandes. L'utilisation sans surveillance de cet appareil est déconseillée aux enfants et aux personnes qui ne seraient pas aptes à s'en servir.

## REMARQUES IMPORTANTES AVANT L'UTILISATION

Veuillez lire attentivement les informations suivantes avant d'utiliser votre Robo.com2 ou ses accessoires. Ne démontez pas le Robo.com2 et n'essayez pas de le réparer vous-même. En cas de dysfonctionnement, veuillez contacter votre revendeur pour obtenir les conseils d'un professionnel.

**Escaliers :** Le Robo.com2 utilise des capteurs pour éviter de chuter sur des marches, dans des escaliers ou par-dessus un bord. Dans certaines situations, les capteurs peuvent dysfonctionner :

Le Robo.com2 ne peut pas détecter les marches qui font moins de 8 cm de haut. Les marches de moins de 8 cm de haut peuvent faire chuter le Robo.com2. Si disponible, utilisez le mur virtuel\* pour éviter la chute de votre Robo.com2.

Les surfaces très réfléchissantes ou très foncées sur certaines marches ou certains escaliers, telles que le verre ou la céramique polie peuvent faire chuter le Robo.com2. Si disponible, utilisez le mur virtuel\* ou placez un tapis sur la marche inférieure pour éviter la chute de votre Robo.com2.

Évitez d'utiliser votre Robo.com2 sur des mezzanines, des paliers ou des surfaces élevées non délimités. Si disponible, utilisez le mur virtuel\* pour éviter que votre Robo.com2 pénètre ces zones.

**Utilisation des batteries :** Votre Robo.com2 est alimenté par des batteries NiMH rechargeables à haute capacité. Ces batteries rechargeables sont garanties 6 mois sous réserve d'être entretenues et utilisées conformément à ce manuel d'utilisation.

En cas de perte de performance importante du Robo.com2, des batteries de rechange sont disponibles auprès de votre revendeur Hoover.

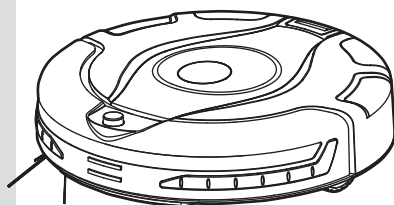
Utilisez uniquement les pièces de rechange approuvées pour votre Robo.com2. L'utilisation de pièces non approuvées par Hoover est dangereuse et invalidera votre garantie.

N'utilisez que la station de chargement et l'adaptateur secteur fournis pour recharger votre Robo.com2. L'utilisation d'une mauvaise station de chargement ou d'un mauvais adaptateur secteur est dangereuse et invalidera votre garantie.

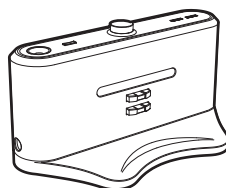
\* Sur certains modèles uniquement

\*\* Peut varier selon le modèle

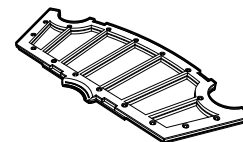
## CONTENU DE LA BOÎTE



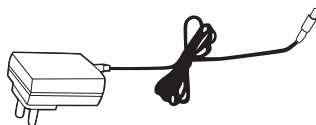
Robo.com2



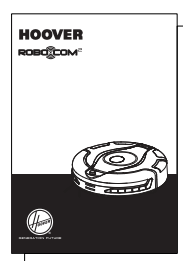
Station de chargement



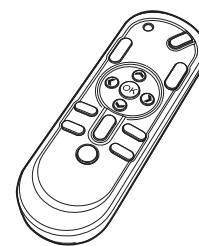
Filtre\*\*



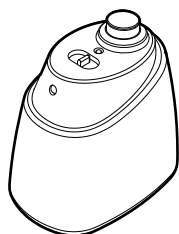
Adaptateur secteur



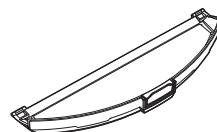
Manuel d'utilisation



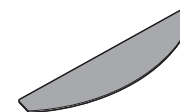
Télécommande\*\*



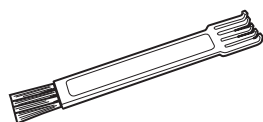
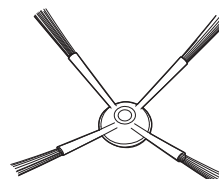
Mur virtuel\*



Porte-patin lustreur\*



Patin lustreur\*

Brosse de nettoyage  
multi-fonctions

Brosse de nettoyage latérale

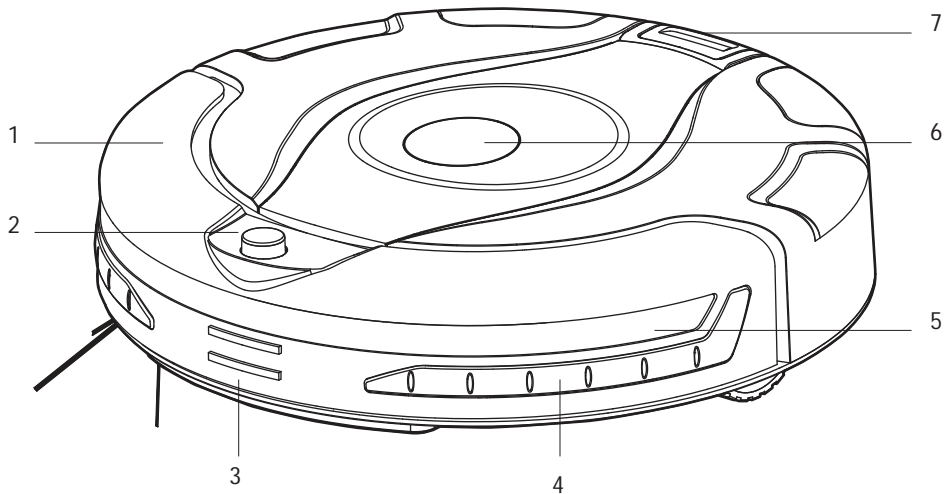
\* Sur certains modèles uniquement

\*\* Peut varier selon le modèle



# PREMIÈRE UTILISATION DE VOTRE ASPIRATEUR ROBO.COM2

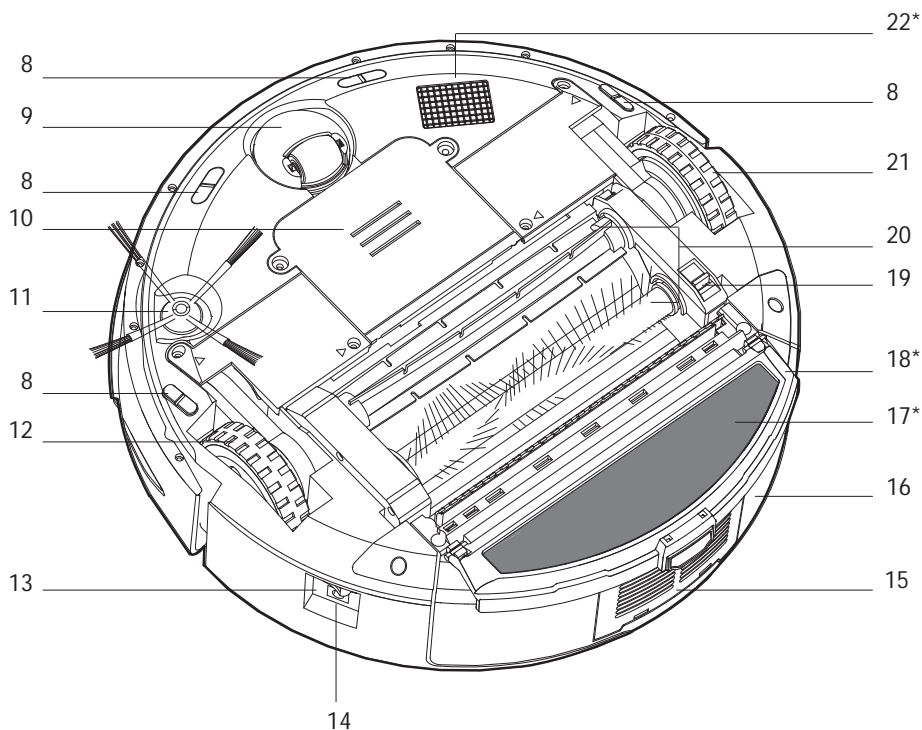
## Vue de dessus du Robo.com2



1	Pare-choc avant
2	Récepteur infrarouge
3	Touches de recharge automatique
4	Bande anti-collision
5	Ecran de protection des capteurs
6	Écran d'alimentation LCD
7	Bouton pour détacher le bac à poussière
8	Capteur de sol
9	Roue avant
10	Couvercle de la batterie
11	Brosse de nettoyage latérale

12	Roue motrice droite
13	Bouton de mise en marche
14	Connecteur de chargement
15	Grille de sortie de l'air
16	Bac à poussière
17	Patin lustrateur*
18	Porte-patin lustrateur*
19	Loquet de déverrouillage des brosses de sol
20	Brosses de sol
21	Roue motrice gauche
22	Lampe UV*

## Vue de dessous du Robo.com2



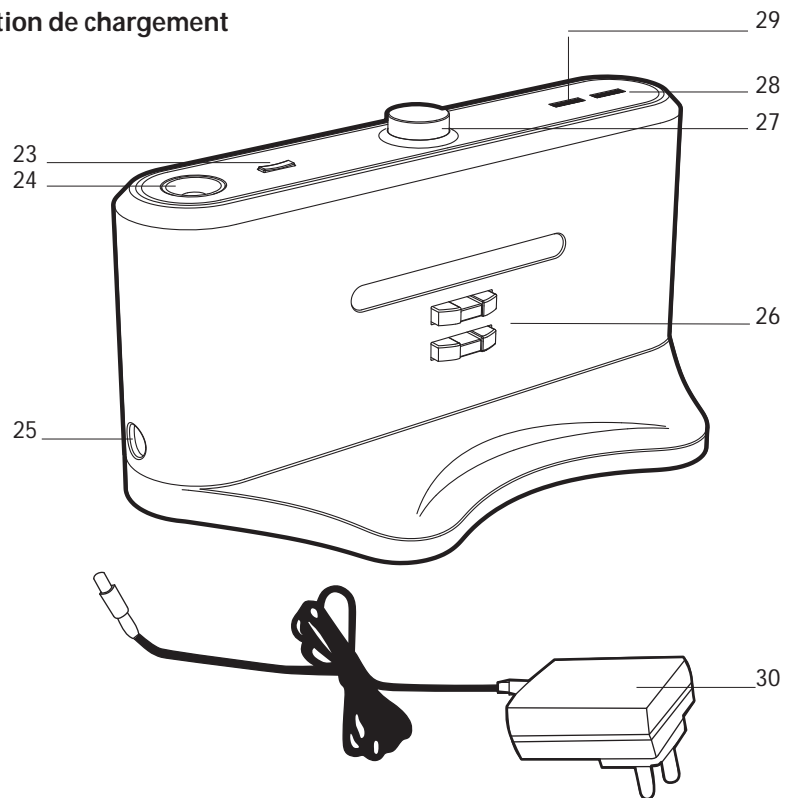
\* Sur certains modèles uniquement

\*\* Peut varier selon le modèle



## PREMIÈRE UTILISATION DE VOTRE ASPIRATEUR ROBO.COM2

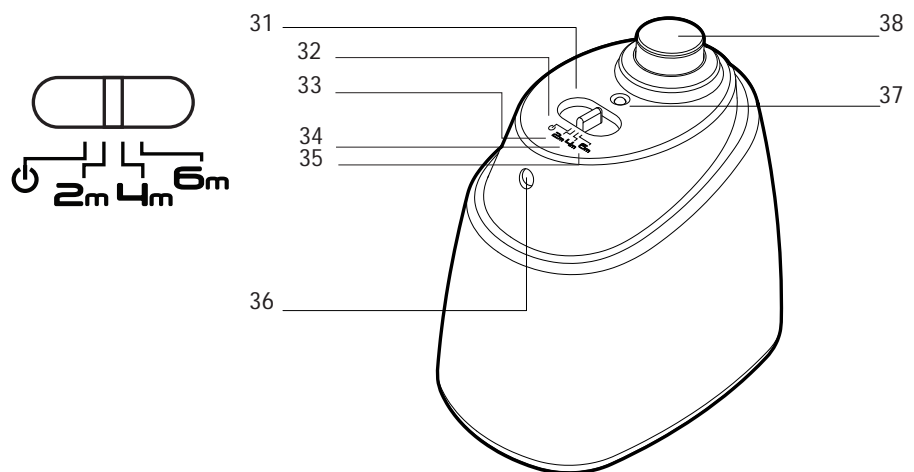
## Station de chargement



23	Interrupteur lampe de nuit
24	Lampe de nuit
25	Connecteur d'alimentation
26	Contacts de chargement
27	Transmetteur infrarouge
28	Témoin de charge
29	Témoin de mise sous tension
30	Adaptateur secteur

31	Interrupteur de l'ensemble mur virtuel*
32	OFF
33	Mur de courte portée - 2m
34	Mur de moyenne portée - 4m
35	Mur de longue portée - 6m
36	Transmetteur infrarouge
37	Témoin de mise sous tension
38	Transmetteur proche infrarouge

## Mur virtuel\*

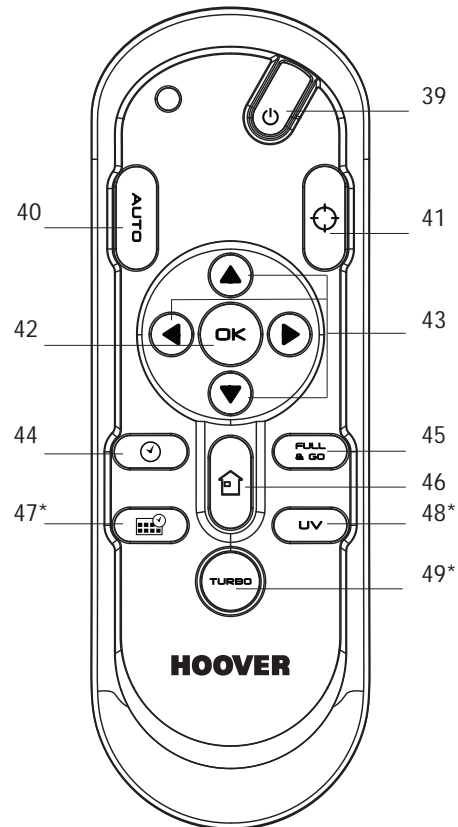


\* Sur certains modèles uniquement

\*\* Peut varier selon le modèle

## PREMIÈRE UTILISATION DE VOTRE ASPIRATEUR ROBO.COM2

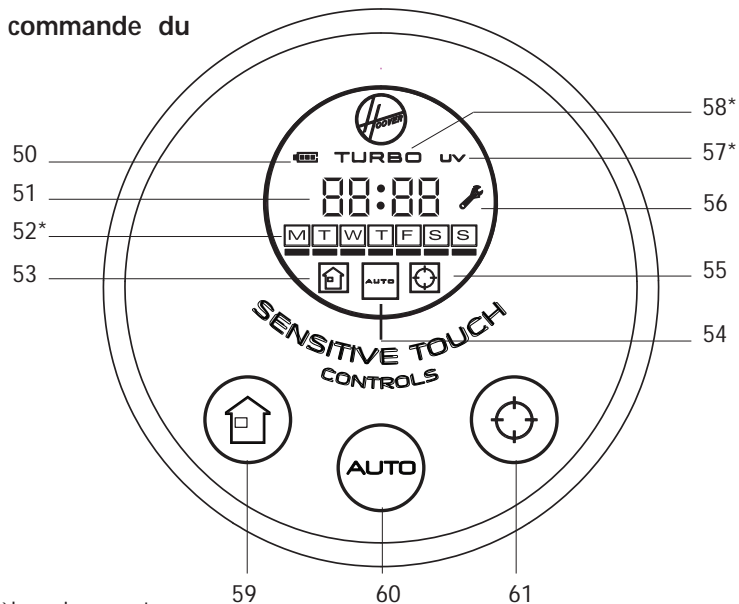
## Télécommande\*\*



39	Bouton Marche/Arrêt
40	Bouton Mode de nettoyage automatique
41	Bouton Mode de nettoyage spot
42	Bouton de confirmation OK
43	Flèches de navigation
44	Bouton de configuration de l'heure locale
45	Bouton Full & Go
46	Bouton Retour automatique vers la base de chargement
47	Bouton Fonction de programmation*
48	Bouton Lampe UV*
49	Bouton Vitesse du turbo*
50	Témoin de charge de la batterie
51	Horloge

52	Témoin jour (Fonction de programmation)*
53	Témoin Retour automatique vers la base de chargement
54	Témoin Mode de nettoyage automatique
55	Témoin Mode de nettoyage spot
56	Témoin d'entretien
57	Voyant lampe UV*
58	Témoin de vitesse du turbo*
59	Touche tactile Retour automatique vers la base de chargement
60	Touche tactile Mode de nettoyage automatique
61	Touche tactile Mode de nettoyage spot

## Panneau de commande du Robo.com2



\* Sur certains modèles uniquement

\*\* Peut varier selon le modèle

## Emballage

Ne mettez pas l'emballage de votre Robo.com2 au rebut. Vous pourriez en avoir besoin pour ranger ou transporter votre Robo.com2.

Lorsque vous déballez le Robo.com2 et ses accessoires, veillez à garder les sacs plastique hors de portée des bébés, des enfants et des animaux pour éviter le risque d'étouffement.

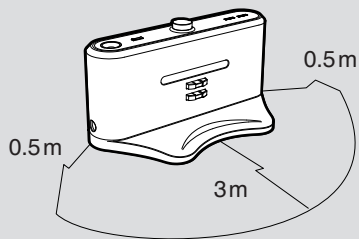
Avant d'utiliser votre Robo.com2 pour la première fois, vous devez le charger entièrement. Cela prendra environ 6 heures. N'exposez pas le Robo.com2, l'adaptateur secteur ou la station de chargement à des températures inférieures à 0°C ou supérieures à 30°C au risque d'endommager la batterie. L'adaptateur secteur doit être branché uniquement sur une prise électrique standard.

## Batteries rechargeables NiMH

Pour une performance optimale de la batterie, nous vous recommandons de garder les batteries de votre Robo.com2 entièrement chargées.

Lorsque le Robo.com2 ne fonctionne pas, il doit rester branché à la station de chargement ou à l'adaptateur secteur. Le Robo.com2 dispose d'un système de chargement intelligent qui veille à maintenir les batteries entièrement chargées sans qu'elles ne soient surchargées.

Pour éviter les accidents, assurez-vous que toutes les personnes présentes dans la pièce ont conscience de la présence du Robo.com2. Si le Robo.com2 se perd, remplacez vous-même le Robo.com2 sur la station de chargement.



## Configuration de la station de chargement

Avant l'utilisation, retirez les obstacles qui pourraient se trouver dans le passage de Robo.com2. Faites attention :

- ‡ Aux objets qui peuvent facilement se renverser.
- ‡ Aux bords de moquettes ou de tapis sur lesquels il pourrait rester coincé.
- ‡ Aux rideaux et nappes qui touchent le sol.
- ‡ Aux sources de chaleurs et aux objets inflammables.
- ‡ Aux cordons et câbles électriques.
- ‡ Aux objets fragiles.

1. Placez la station de chargement sur un sol non réfléchissant, de préférence contre un mur. Si la surface du sol est trop réfléchissante, elle interférera avec le système de navigation de Robo.com2 qui pourrait avoir des difficultés à localiser la station de chargement.
2. Aucun objet ne doit se trouver à 3 m devant la station de chargement et à 0,5 m de chaque côté.
3. Branchez l'adaptateur secteur et raccordez-le à la station de chargement. Veillez à ce que le cordon d'alimentation ne soit pas coincé en-dessous de la station de chargement.
4. Veillez à ce que le cordon d'alimentation ne soit pas emmêlé ou étiré. S'il y en a trop, utilisez l'attache de cordon d'alimentation pour le ranger soigneusement.
5. Vérifiez que le bac à poussière se trouve dans le Robo.com2.
6. Placez votre Robo.com2 dans la station de chargement pour lancer le chargement. Le premier chargement prendra environ 6 heures.

REMARQUE : Il y a une lampe de nuit sur la station de chargement que vous pouvez décider d'allumer ou d'éteindre en fonction de vos besoins.

## Chargement automatique

Lorsque le niveau de batterie du Robo.com2 atteint 15 %, il s'arrête d'aspirer et cherche la station de chargement. Une fois placé sur la station de chargement, un témoin sur la base de chargement s'allumera pour indiquer que le chargement est en cours.

Le Robo.com2 peut ne pas parvenir à atteindre la station de chargement s'il y a de nombreux obstacles entre lui et la station de chargement. Pour de meilleurs résultats, veillez à ce que la station de chargement se trouve dans un espace large et ouvert.

## Chargement manuel

Il y a trois méthodes pour charger votre Robo.com2:

- A. En appuyant sur le bouton "Retour automatique vers la base de chargement"\*\*\* situé sur la télécommande ou la touche tactile correspondante sur votre Robo.com2.
- B. En branchant directement l'adaptateur secteur sur le Robo.com2.
- C. En plaçant vous-même le Robo.com2 sur la station de chargement.

**Important :** Le Robo.com2 ne fonctionnera pas sans le bac à poussière. Le Robo.com2 ne fonctionnera pas s'il est en cours de chargement ou s'il est branché directement via l'adaptateur secteur.

\* Sur certains modèles uniquement

\*\* Peut varier selon le modèle

